



US007331137B2

(12) **United States Patent**
Hsu

(10) **Patent No.:** US 7,331,137 B2
(45) **Date of Patent:** Feb. 19, 2008

- (54) **LASER POINTER AS AUXILIARY SIGHT OF FIREARM**
- (76) Inventor: **Yao-Hsi Hsu**, 1F, No. 235, Tayou Rd., Sungshan Chiu, Taipei 105 (TW)
- (*) Notice: Subject to any disclaimer, the term of this patent is extended or adjusted under 35 U.S.C. 154(b) by 0 days.

5,323,555 A *	6/1994	Jehn	42/115
5,351,429 A *	10/1994	Ford	42/115
5,355,609 A *	10/1994	Schenke	42/115
5,433,010 A *	7/1995	Bell	42/126
5,581,898 A *	12/1996	Thummel	42/117
5,685,636 A *	11/1997	German	362/259
5,694,713 A *	12/1997	Paldino	42/115
5,704,155 A *	1/1998	Primeau, IV	42/114
5,784,823 A *	7/1998	Chen	42/115

FOREIGN PATENT DOCUMENTS

WO WO88/07168 * 9/1988

* cited by examiner

Primary Examiner—Bret Hayes

(74) *Attorney, Agent, or Firm*—Troxell Law Office, PLLC

(57) **ABSTRACT**

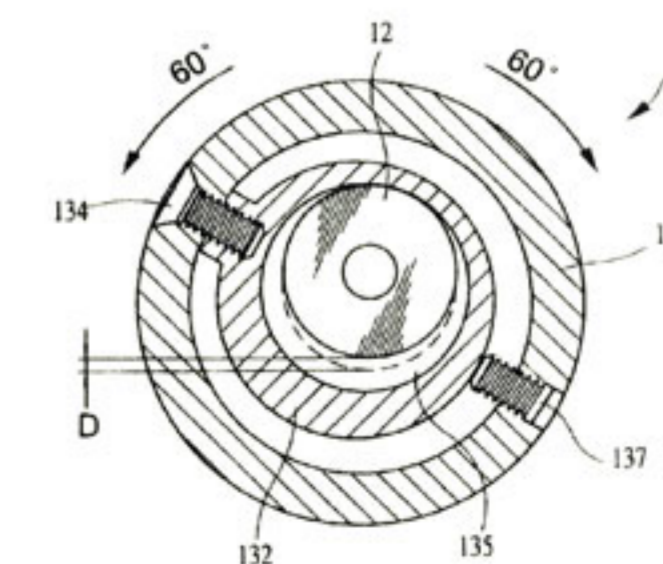
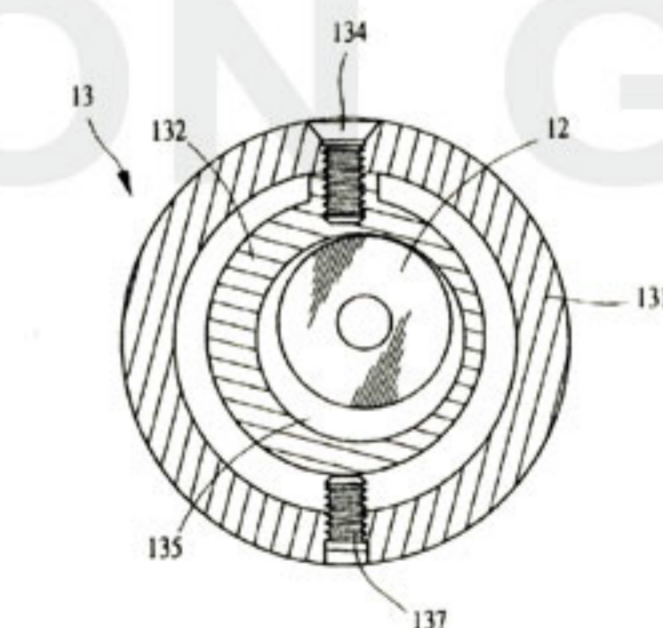
A laser pointer on a seat of a firearm as an auxiliary sight is disclosed. The pointer comprises a cylindrical housing comprising a forward aperture; a light emitting mechanism in the housing, the mechanism being adapted to emit laser beam through the aperture to impinge on a target; and an adjustment ring rotatably put on the housing, the adjustment ring comprising an outer knurled ring, and an inner cam ring comprising an outer projection secured to the knurled ring, an eccentric bore for receiving a rear portion of the mechanism, and a rear narrow shoulder as a stop. A firearm user can rotate the adjustment ring to adjust the laser beam direction and thus the light spot on the target. The corrected adjustment ring can be fastened. Hence, the invention can aid the eyes to quickly line up the firearm on the target.

5 Claims, 6 Drawing Sheets

- (21) Appl. No.: **10/612,136**
- (22) Filed: **Jul. 3, 2003**
- (55) **Prior Publication Data**
US 2007/0240355 A1 Oct. 18, 2007
- (51) **Int. Cl.**
F41G 1/00 (2006.01)
F41G 1/28 (2006.01)
- (52) **U.S. Cl.** **42/114; 42/115**
- (58) **Field of Classification Search** 42/114,
42/115, 124, 125, 126
See application file for complete search history.

(56) **References Cited**
U.S. PATENT DOCUMENTS

3,813,790 A *	6/1974	Kaltmann	42/132
3,867,764 A *	2/1975	Dunmire et al.	42/115
4,026,054 A *	5/1977	Snyder	42/115
4,233,770 A *	11/1980	de Filippis et al.	42/114
4,313,272 A *	2/1982	Matthews	42/115
4,742,636 A *	5/1988	Swan	42/126
4,939,863 A *	7/1990	Alexander et al.	42/115



The Director of the United States Patent and Trademark Office

Has received an application for a patent for a new and useful invention. The title and description of the invention are enclosed. The requirements of law have been complied with, and it has been determined that a patent on the invention shall be granted under the law.

Therefore, this

United States Patent

Grants to the person(s) having title to this patent the right to exclude others from making, using, offering for sale, or selling the invention throughout the United States of America or importing the invention into the United States of America for the term set forth below, subject to the payment of maintenance fees as provided by law.

If this application was filed prior to June 8, 1995, the term of this patent is the longer of seventeen years from the date of grant of this patent or twenty years from the earliest effective U.S. filing date of the application, subject to any statutory extension.

If this application was filed on or after June 8, 1995, the term of this patent is twenty years from the U.S. filing date, subject to any statutory extension. If the application contains a specific reference to an earlier filed application or applications under 35 U.S.C. 120, 121 or 365(c), the term of the patent is twenty years from the date on which the earliest application was filed, subject to any statutory extensions.

Director of the United States Patent and Trademark Office

The United States of America

